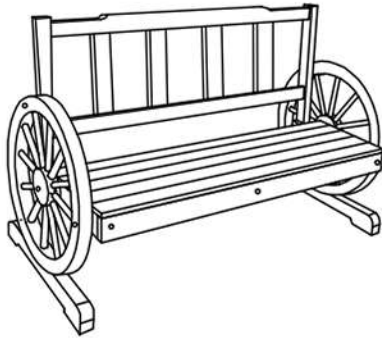
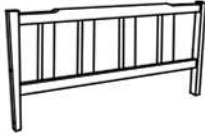




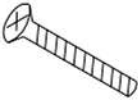
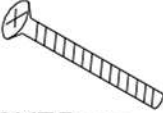
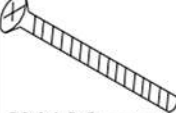


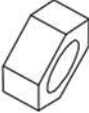



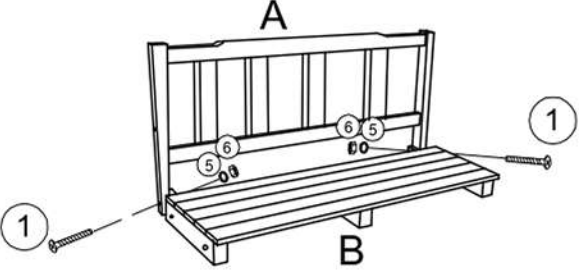
SABA TYP 1 SFWT 1002



| | | | | |
|---|---|---|---|---|
| <p>A (1x)</p>  | <p>B (1x)</p>  | <p>C (2x)</p>  | <p>E (1x)</p>  |  |
| <p>① 2x</p>  <p>8X60mm</p> | <p>② 2x</p>  <p>8X75mm</p> | <p>③ 4x</p>  <p>8X100mm</p> | <p>④ 5x</p>  <p>3.5X40mm</p> | <p>⑤ 8x</p>  |
| <p>⑥ 8x</p>  |  | | | |

RO : Nu strângeți șuruburile înainte de asamblarea completă!

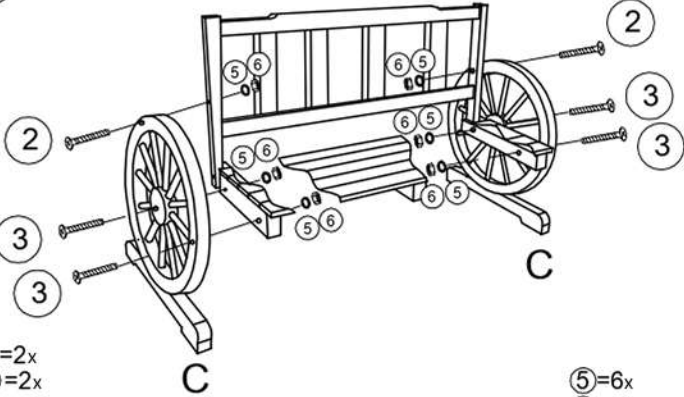
1



A=1x
B=1x
①=2x

⑤=2x
⑥=2x

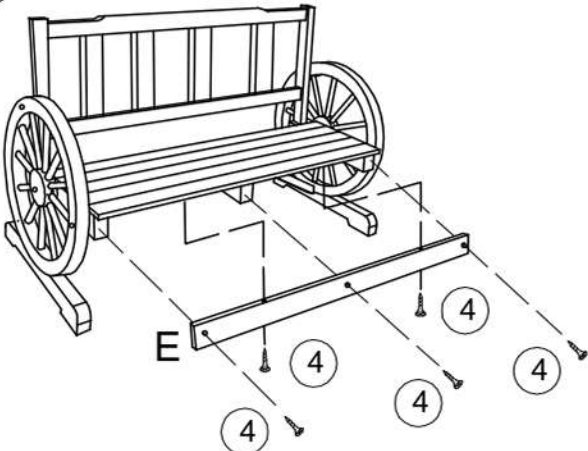
2



C=2x
②=2x
③=4x

⑤=6x
⑥=6x

3



E=1x
④=5x